



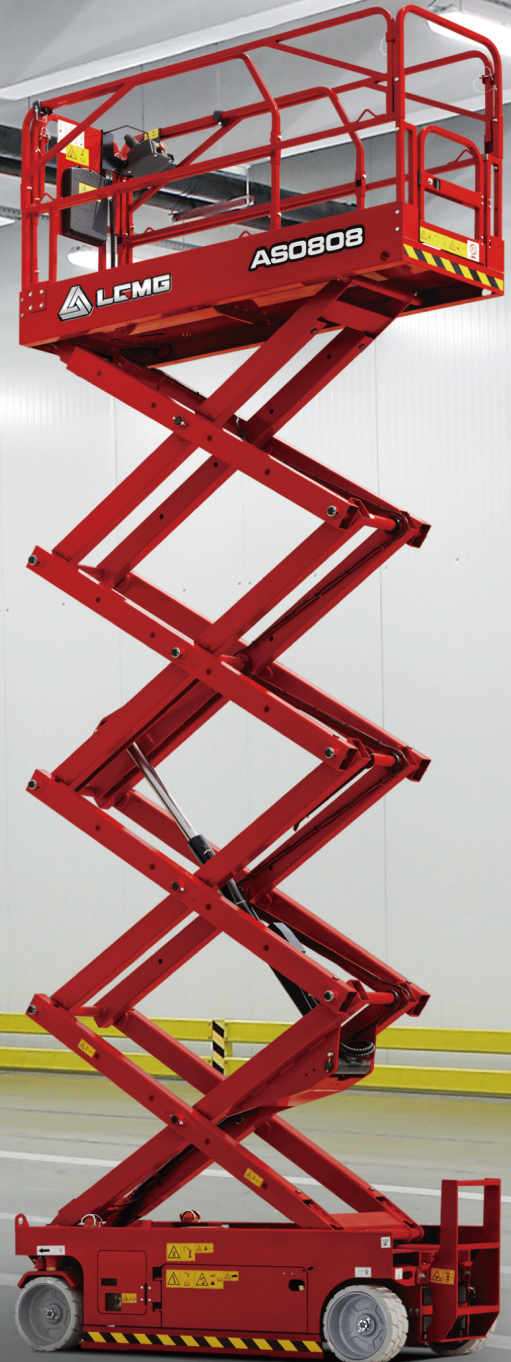
ELECTRIC SCISSOR LIFT

**AS0608 / AS0808
(AS2032 / AS2632)**

HIGHLIGHTS

LGMG hydraulic motor drive scissor lifts offer most leading industry reliable and simple design for all jobsites. They can be applied to various construction sites, maintenance jobsites and other applications both indoor and outdoor. The wide range product line from 5.8m to 13.8m platform heights can satisfy your different working heights requirements.

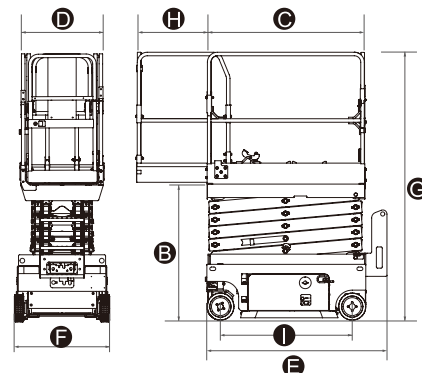
- Upgraded and reinforced design delivers better performance for various harsh conditions.
- The simple and reliable hydraulic system offers better performance on productivity.
- Swing out component trays for easy access and maintenance.
- CAN bus system and intelligent self-diagnostic system for quick troubleshooting.
- Commonality in key parts with other electric scissor lifts.



LGMG Hydraulic Motor Drive Scissor Lift

SPECIFICATIONS

MODELS	AS0608 (AS2032)		AS0808 (AS2632)	
Measurements	Metric	US	Metric	US
Working Height Max.	7.9m	25.9ft	10m	32.8ft
A Platform Height-Raised	5.9m	19.4ft	8m	26.2ft
B Platform Height-Stowed	1.03m	3.4ft	1.14m	3.7ft
C Platform Length	2.26m	7.4ft	2.26m	7.4ft
D Platform Width	0.81m	2.7ft	0.81m	2.7ft
E Overall Length(with ladder)	2.4m	7.9ft	2.4m	7.9ft
F Overall Width	0.83m	2.7ft	0.83m	2.7ft
G Overall Height-Rails Up	2.19m	7.2ft	2.32m	7.6ft
Overall Height-Rails Down	1.83m	6ft	1.95m	6.4ft
H Extension Deck	0.9m	3ft	0.9m	3ft
I Wheelbase	1.85m	73in	1.85m	73in
Ground Clearance(Stowed/Raised)	100/25mm	3.94×0.98in	100/25mm	3.94×0.98in
PRODUCTIVITY				
Platform Occupants Max. (in/out)	2/1	2/1	2/0	2/0
Platform Capacity	380kg	838lbs	230kg	510lbs
Platform Capacity-Extension	120 kg	265 lbs	120 kg	265 lbs
Drive Height	Full Height			
Gradeability-Stowed	25 %			
Turning Radius-Inside	0			
Turning Radius-Outside	2.15m	7ft	2.15m	7ft
Raise/Lower Speed	30/34s		31/40s	
Brakes	Rear-wheel Brake			
Drive Mode	4×2			
Tires Type	Solid Non-marking			
Tires Size	380×130mm	15×5 in	380×130mm	15×5 in
POWER				
Power Source	24V DC 225Ah			
HYDRAULIC SYSTEM				
Hydraulic Oil Capacity	13L	3.4gal	13L	3.4gal
WEIGHT				
Machine Weight(CE/ANSI)	2000kg	4409lbs	2140kg	4718lbs



STANDARD FEATURES

- Proportional control
- Foldable guardrail
- Emergency stop device
- Manual brake release
- Emergency descent
- Swing-out component tray
- Pothole guard
- Self-lock entry gate
- Tilt alarm with lift cut-out
- Overload sensing system
- Descent alarm with flashing beacon
- Horn/Hour meter
- All motions alarm
- Full-height drive
- Intelligent diagnostic system

OPTIONAL

- AC power to platform
- Platform anti-collision device
- Air tube to platform
- Maintenance-free battery
- Lithium battery
- GPS

Machines in compliant with EN280 / ANSI 92.20 Standard.

Specifications subject to change without notice. Photos and diagrams in the page are for promotional purposes only.
2020 V1 Version

LINGONG GROUP JINAN HEAVY MACHINERY CO., LTD.

Address: No. 2676, Kejia Road, Jinan, Shandong, China
Email: sales@lgmg.com.cn Tel: +86-0531-67879283

LGMG Europe B.V.

Address: Laanweg 16 3208LC Spijkenisse Rotterdam, The Netherlands

LGMG North America, Inc.

Address: 1445 Sheffler Dr, Chambersburg, PA. 17201, USA



RELIABILITY IN ACTION